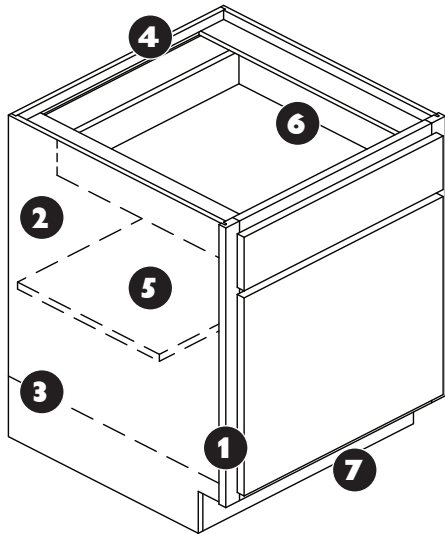
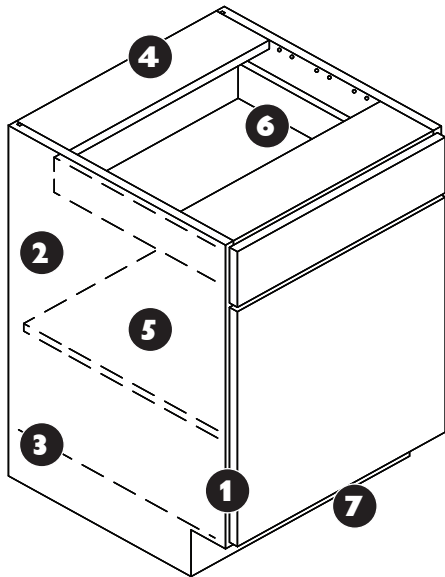


Dura Supreme Cabinet Comparison Chart



CRESTWOOD CABINETRY



BRIA CABINETRY

		Crestwood Cabinetry	Bria Cabinetry
1	Construction	Framed Construction with 3/4" X 1-1/2" Solid Hardwood Face Frames with I-Beam Construction	Frameless or "Full-Access" Construction with coordinating PVC edge banding or optional wood veneer edge banding
2	End Panels	1/2" thick Furniture Board OR 1/2" Plywood Upgrade	3/4" thick Furniture Board OR 3/4" Plywood Upgrade
3	Top/Bottom	1/2" thick Furniture Board OR 1/2" Plywood Upgrade	3/4" thick Furniture Board OR 3/4" Plywood Upgrade
4	Back	1/2" thick Furniture Board OR 1/2" Plywood Upgrade	1/4" thick MDF Core with Hanging Rail
5	Adjustable Shelves	3/4" thick Furniture Board OR 3/4" Plywood Upgrade	3/4" thick Furniture Board OR 3/4" Plywood Upgrade
6	Drawer Box & Roll-out Shelves	5/8" hardwood box with furniture dovetailed joints OR Premium 5/8" solid Maple box with dovetailed joints sanded & finished - eased top edge	5/8" hardwood box with furniture dovetailed joints OR Premium 5/8" solid Maple box with dovetailed joints sanded & finished - eased top edge OR Stainless Steel Drawer Box
	Glides	Blumotion Soft Close Full Extension Undermount Glides for drawers and roll-out shelves	
7	Toe Kick	4-1/2" High X 3" Recess	
	Cabinet Interior	Maple Woodgrain Print OR Maple Veneer with Natural Finish	
	Finished Ends	Matching Wood Veneer	
	Hinges	Fully Adjustable Soft Close	